

UNITED STATES PATENT OFFICE

DANIEL H. FERNALD, OF BANGOR, MAINE.

IMPROVEMENT IN MAN-HOLE COVERS FOR SEWERS.

Specification forming part of Letters Patent No. **167,444**, dated September 7, 1875; application filed March 6, 1875.

To all whom it may concern:

Be it known that I, DANIEL H. FERNALD, of Bangor, in the county of Penobscot and State of Maine, have invented certain new and useful Improvements in Cover for Chimneys of Sewers; and I do hereby declare that the following is a full, clear, and exact description thereof, that will enable others skilled in the art to which it appertains to make and use the same, reference being had to the accompanying drawings, forming a part of this specification, in which—

Figure 1 shows a plan; Fig. 2, a section through line *a b*.

Same letters show like parts.

My object is to produce a neat and ornamental cover for sewer-chimneys, which shall at the same time support and protect the brick-work of the chimney, and provide a ready means of access thereto for the water.

Referring to the drawing, *a* shows the cover proper, provided with an opening at *b* for the reception of the grate *c*. This cover is composed of metal, and is intended to be placed over the chimney in an inclined position, as

shown at Fig. 2. On its under side it is provided with annular flanges *d e*, which extend downward on each side of the brick-work *f*, supporting it and protecting it from the water entering the chimney. It has also a channel at *g* opening into the chimney under the grate, thus preventing any accumulation of water. The surface of the cover may be roughened to prevent slipping. The grate *c* may be of any ordinary construction, and is held in position by lips or a flange, *h*, on the inner edge of the opening in the cover.

What I claim as my invention is—

The cover for sewer-chimneys, consisting of the annular cover *a*, provided with flanges *d e*, and the channel *g*, substantially as set forth and shown.

In testimony that I claim the foregoing I have hereunto set my hand this 12th day of November, 1874.

DANIEL H. FERNALD.

Witnesses:

SUMNER C. PAINE,
WM. FRANKLIN SEAVEY.

D. H. FERNALD.
Man-Hole Cover for Sewers.

No. 167,444.

Patented Sept. 7, 1875.

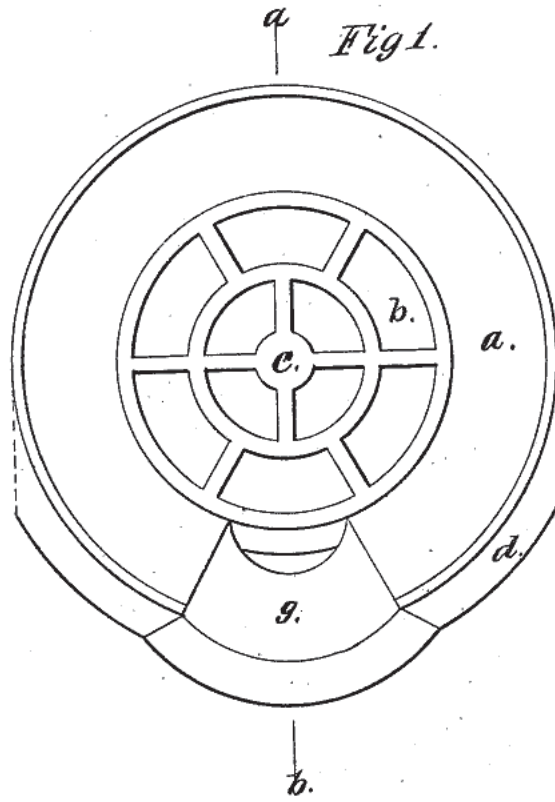
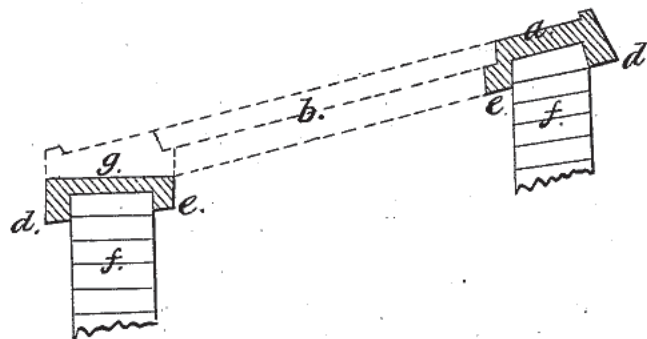


Fig 2.



Witnesses:

W E Brown
Wm King

Inventor:

D H Fernald
Per Atty Geo H Franklin Jeary