

# UNITED STATES PATENT OFFICE.

DAVID W. PURTELL, OF MILWAUKEE, WISCONSIN.

IMPROVEMENT IN MAN-HOLE PLATES FOR SEWER-OPENINGS.

Specification forming part of Letters Patent No. **202,373**, dated April 16, 1878; application filed August 27, 1877.

*To all whom it may concern:*

Be it known that I, DAVID W. PURTELL, of Milwaukee, in the county of Milwaukee, in the State of Wisconsin, have invented certain Improvements in Man-Hole Plates for Sewer-Openings, of which the following is a specification:

The object of my invention is to provide a cover for an opening in a sewer. It is an iron man-hole plate setting in an iron case around the opening, and the man-hole plate is filled with wooden pavement, so that teams may travel over the same.

In the drawings, forming part of this specification, Figure 1 is the iron case which is put around the opening in the sewer; Fig. 2, the man-hole plate, in which the wood pavement is placed, with a lever and fulcrum to raise the same out of the case, and Fig. 3 an iron man-hole plate with openings in the bottom.

In the drawing, A is the iron man-hole plate, in which the wood paving is held; B, iron partitions to keep the paving apart, and to hold it firmly in position, and also to strengthen

the man-hole plate; C, the iron bottom of the man-hole plate; D, a hook in the man-hole plate, in which it may be lifted out of the case whenever it may be necessary to remove the same; E, a lever with which to remove the man-hole plate; F, the fulcrum of the lever, which is removable and used when wanted; G, a hook on the lever, to hook into the hook in the man-hole plate; H, wood pavement, set in the man-hole plate; I, man-hole plate with openings in the bottom of the same for ventilation; K, the case in which the man-hole plate is set.

I claim—

A man-hole plate constructed as described, with iron partitions B and openings in the bottom for ventilation, with hook D, with which the same can be removed, substantially as described.

DAVID W. PURTELL.

Witnesses:

J. B. SMITH,  
CHAS. A. SMITH.

D. W. PURTELL.  
Man-hole Plate for Sewer-Opening.

No. 202,373.

Patented April 16, 1878.

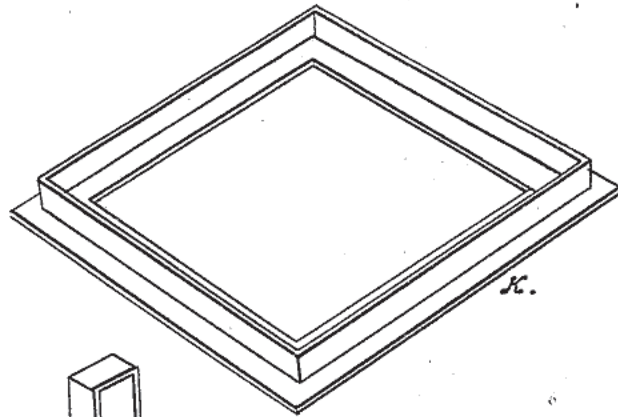


Fig. 1.

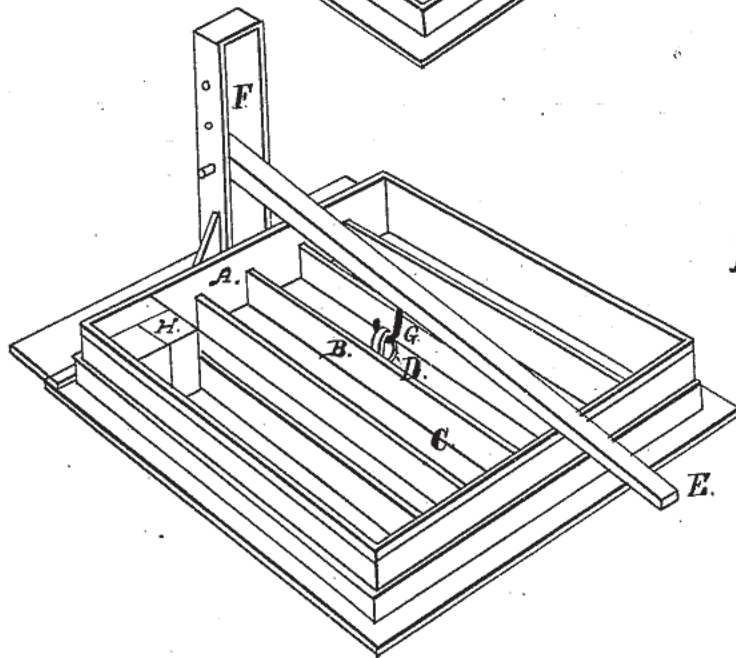


Fig. 2.

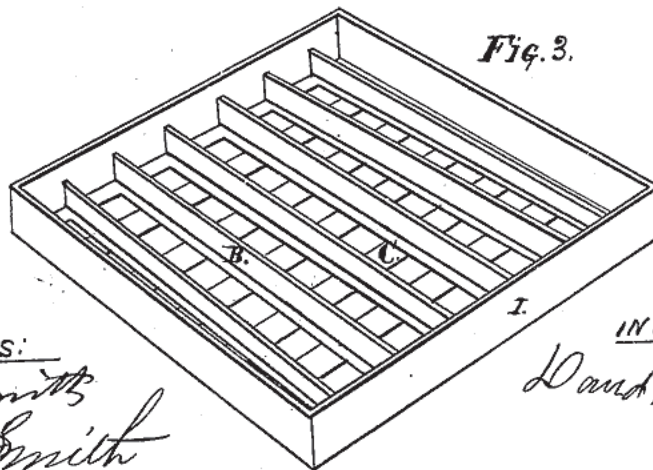


Fig. 3.

WITNESSES:

*J. B. Smith*  
*Chas. H. Smith*

INVENTOR:

*David M. Purcell*