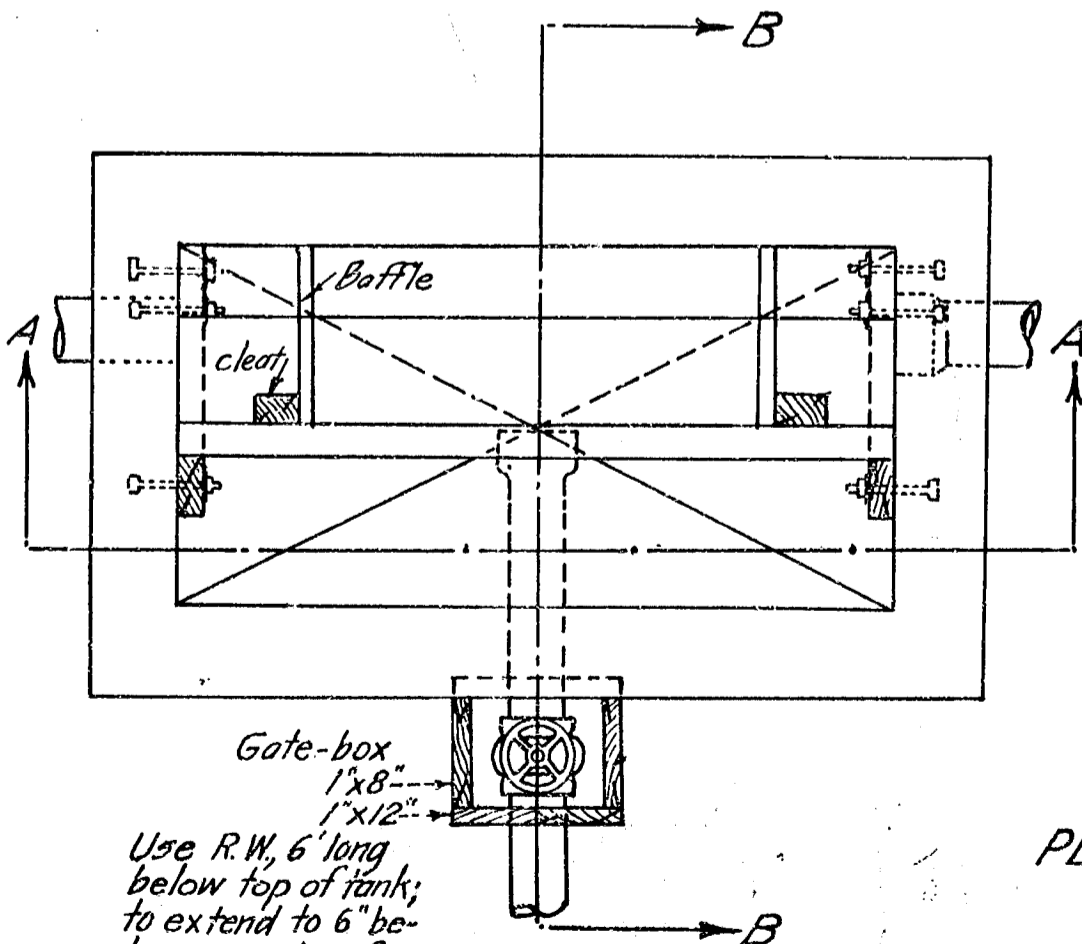


SECTION A-A

SECTION B-B.



PLAN

| BILL OF MATERIALS. | |
|--------------------|------------|
| Material | Quantity |
| Excavation | 3 cu. yds. |
| Rock | 2 cu. yds. |
| Sand | 1 cu. yd. |
| Cement | 3½ bbls. |
| Lumber R.W. | 100' B.M. |
| " O.P. | 10' B.M. |
| Vitrified Pipe-3" | 1 length |
| " 4" | 2 lengths. |
| Gate-valve-3" | 1 |
| Bolts-with N.&W. | 14. |

CITY OF LOS ANGELES.

PLAN AND SECTIONS OF IMHOFF TANK

FOR TEN PEOPLE

John A. Griffin

City Engineer.

Scale: 1" = 1'-0"

Approved 10-13-1920.

John A. Griffin
CITY ENGINEER

Designed by W.C. Steele-1/11-1918.
Checked by W.T.T.