

STRUCTURAL DETAILS
OF
SPECIAL SEWER STRUCTURES
IN
RIGHT OF WAY SOUTH OF BRADDOCK DRIVE
FROM
SLAUSON AVE. TO RIGHT OF WAY WEST OF SLAUSON AVE.

CITY OF LOS ANGELES
LLOYD ALDRICH CITY ENGINEER

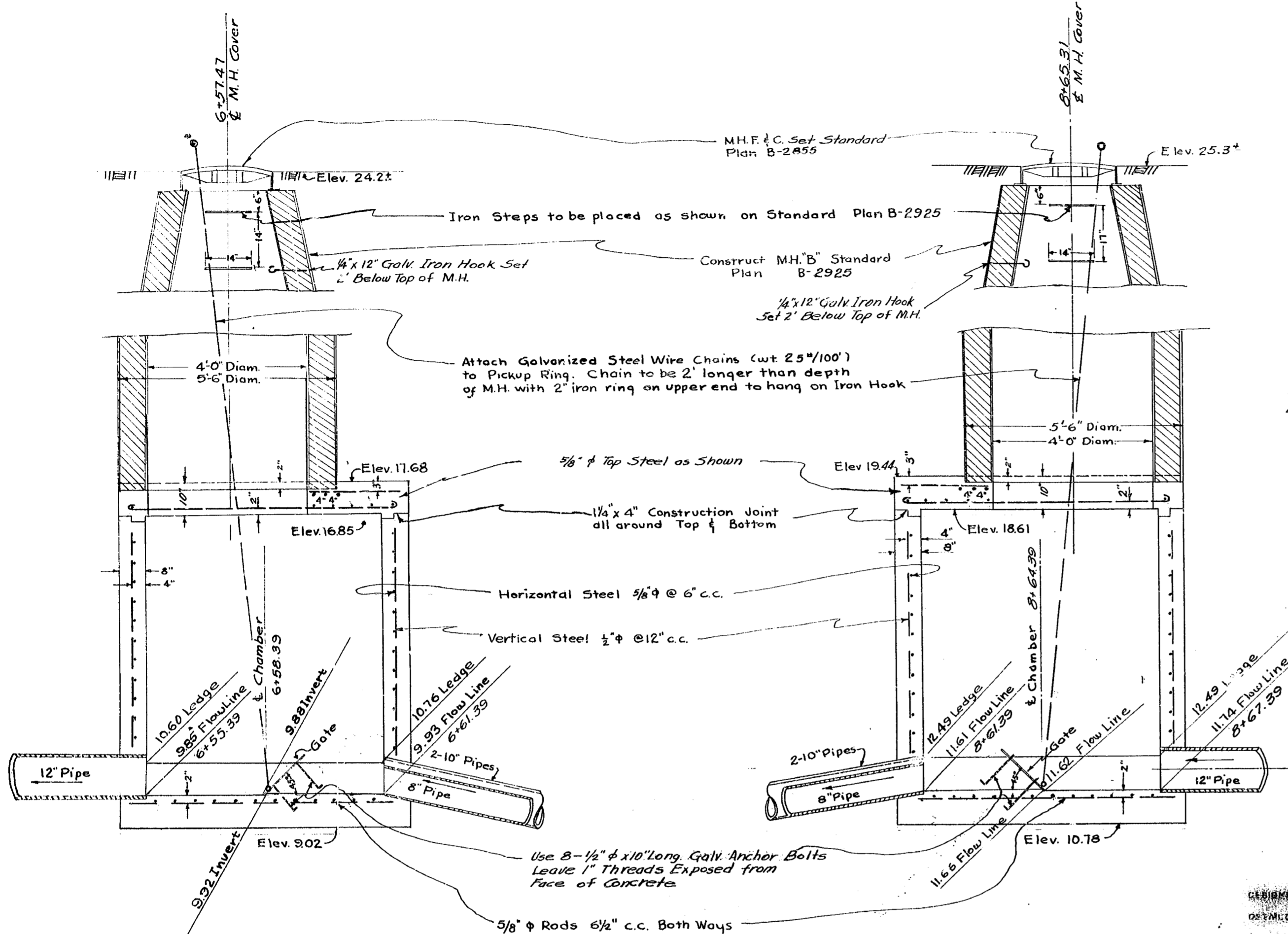
CATUM NOTE
U. S. G. S. DATUM EFFECTIVE JULY 1, 1925. ORDINANCE NO. 52222. DEDUCT 5.775 FEET TO ADJUST TO DATUM PLANK IN USE PRIOR TO SAID DATE.

REFERENCES
FIELD BOOK NO. 9249
DATE OF SURVEY July 3, 1941
DISTRICT MAP NO. 7227 O. W. MAP NO.
ASSESSMENT MAP NO. DIV. 1519
SUPERSEDES PROFILE NO. None

NOTICE TO CONTRACTORS
THIS IMPROVEMENT ALSO INCLUDES WORK CALLED FOR IN THE FOLLOWING SPECIAL PLANS AND PROFILES:
STREET IMP. PROFILES: None
SEWER PLANS: D-6961, D-6962, D-6964, D-8772, to D-8779, Inc. DL-2145, D-8794.
FORM DRAIN PLANS: None
STRUCTURAL PLANS: Hereon, DL-2145, DL-2167, Inc. and DL-2161
ORNAMENTAL LIGHTING PLANS: None
EXISTING MANHOLES (TOTAL): STORM DRAIN: 0 SEWER: 0

FOR NOTICE TO CONTRACTORS SEE DL-2145, DL-2148
FOR KEY MAP SEE DL-2145, DL-2148

VOID



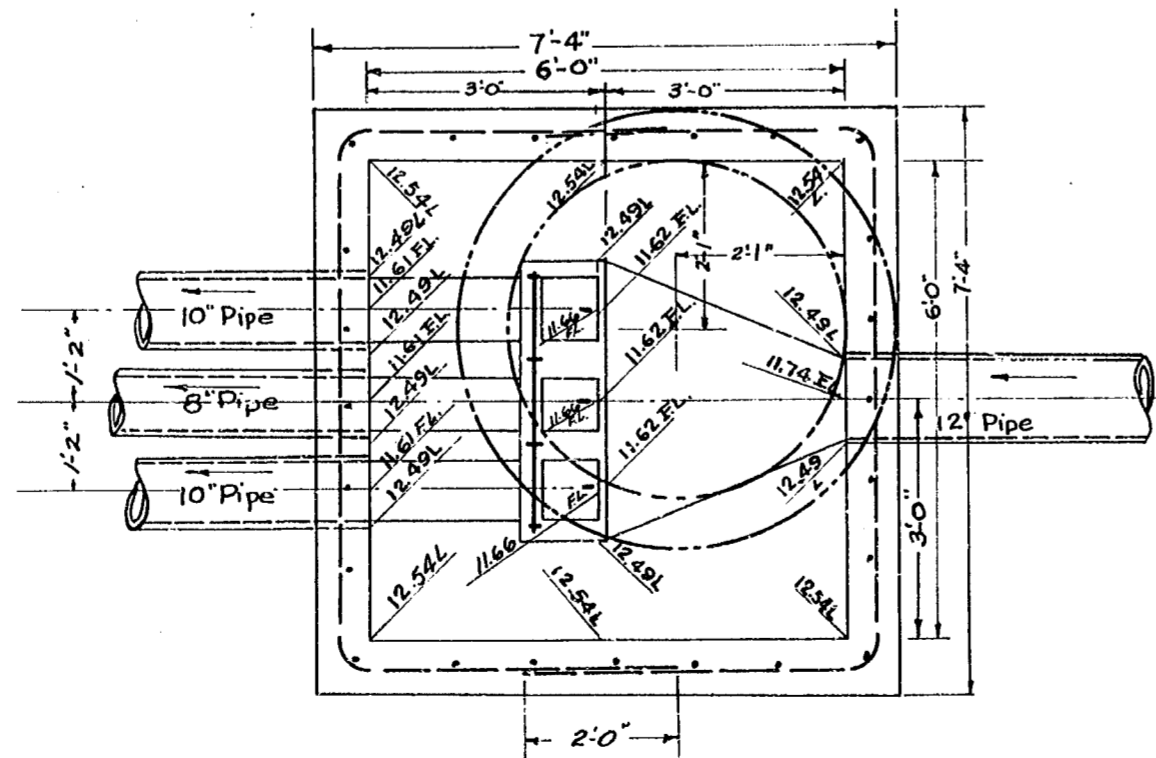
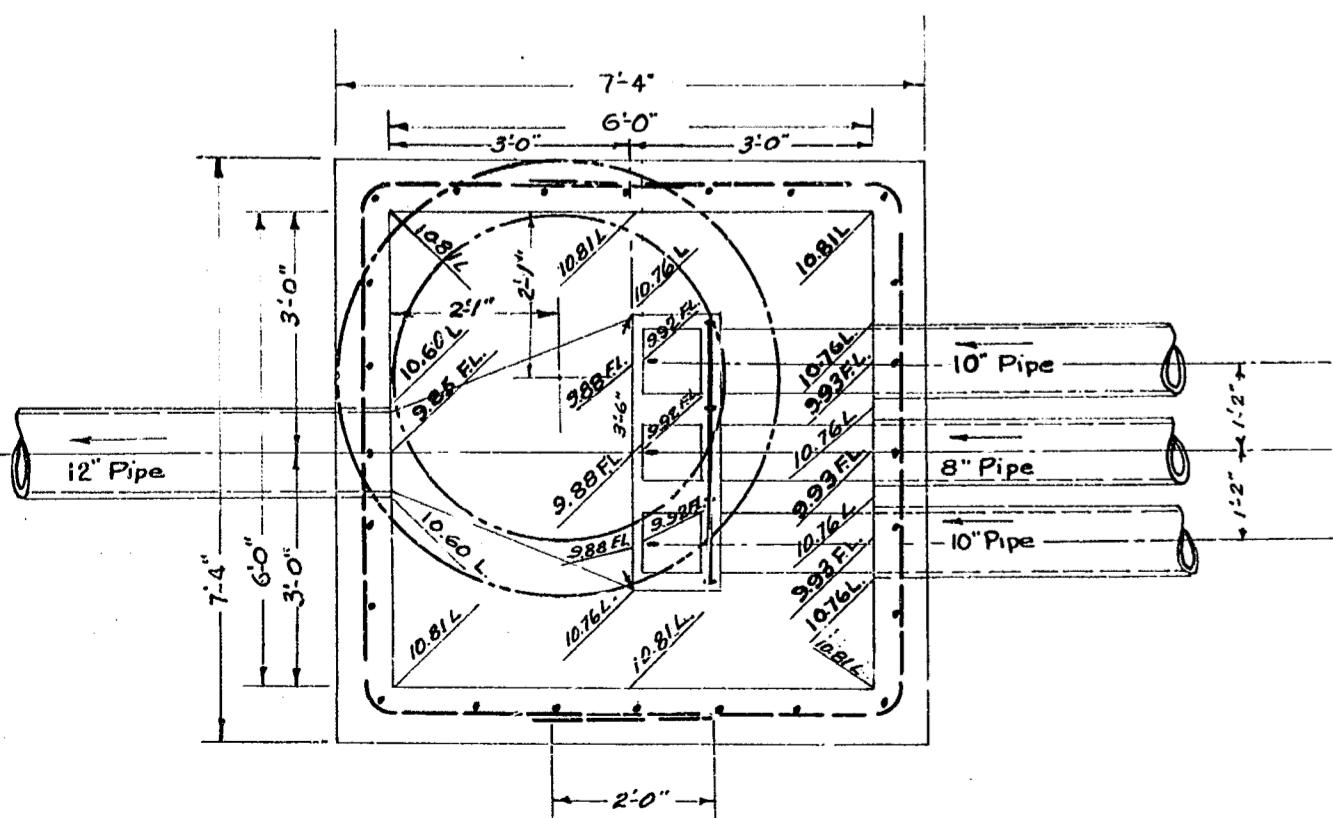
Basis of elevations shown on this Plan.
B.M. - Spike on East curb Inglewood Blvd. at B.C. curb return S.E. corner Juniette Street. Elev. 19.010 F.B. 21040-44.

DESIGNED BY: *A.L. Howard*
CHECKED BY: *A.L. Howard*
DRAWN BY: *E.L. Coxon* 12-27-49
SUPERVISED BY: *Cammins* 12-20-49

SPECIAL STRUCTURE
at Station 6+57.47 (D-6961)
Scale: 1/2" = 1'-0"

SPECIAL STRUCTURE
at Station 8+65.31 (D-6961)
Scale: 1/2" = 1'-0"

Legend:
FL - Flow Line
L - Ledge



APPROVED _____ 1950

Chief Engineer
Los Angeles County Flood Control District

ENGINEER:
DIV. OF PUBLIC WORKS:
STREET MAINTENANCE DIV.
SEWER MAINT. DIV.
CONSTRUCTION CHANGES RECORDED BY

SUBMITTED Dec. 28 1949
BY: *G.S. Ramme*
VEHICLE CONSTRUCTION ENGINEER
DEPUTY ENGINEER (DESIGN)
APPROVED _____ 19____
CITY ENGINEER

DO NOT SIGN
NOT NOW REQUIRED

