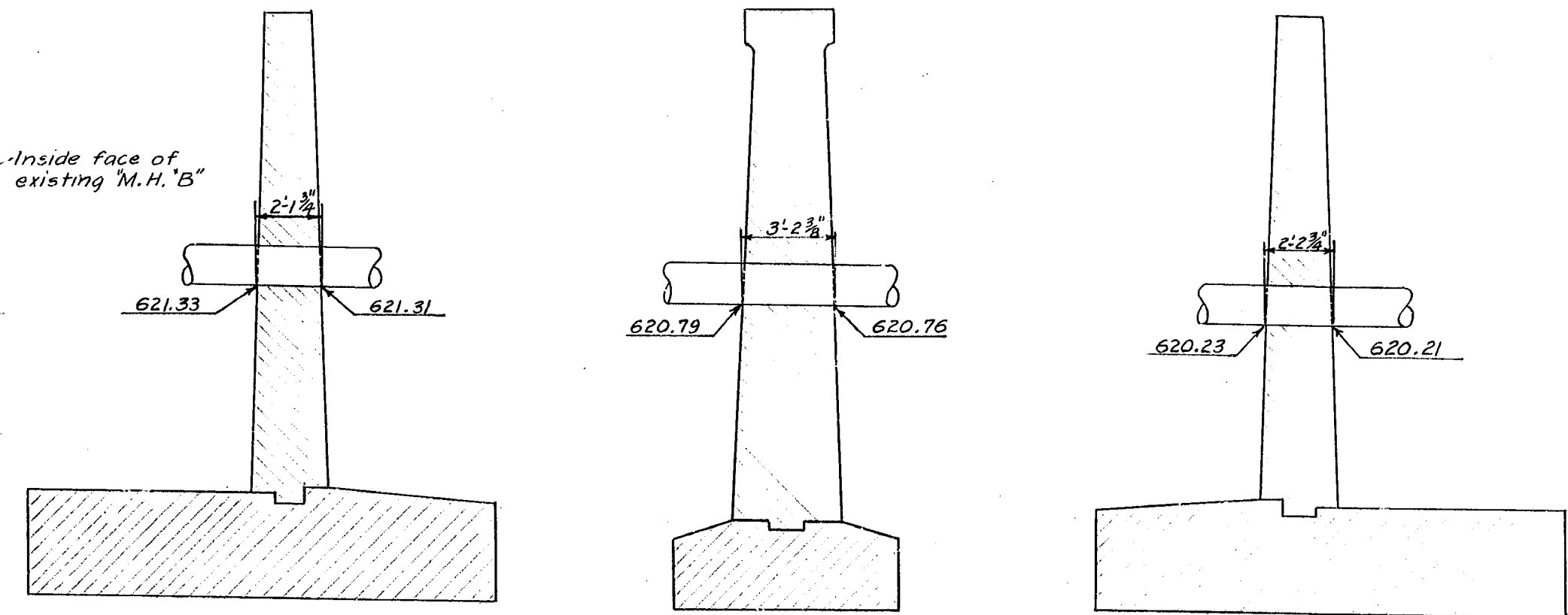


ELEVATION
Looking West
Scale: 1" = 10'-0"



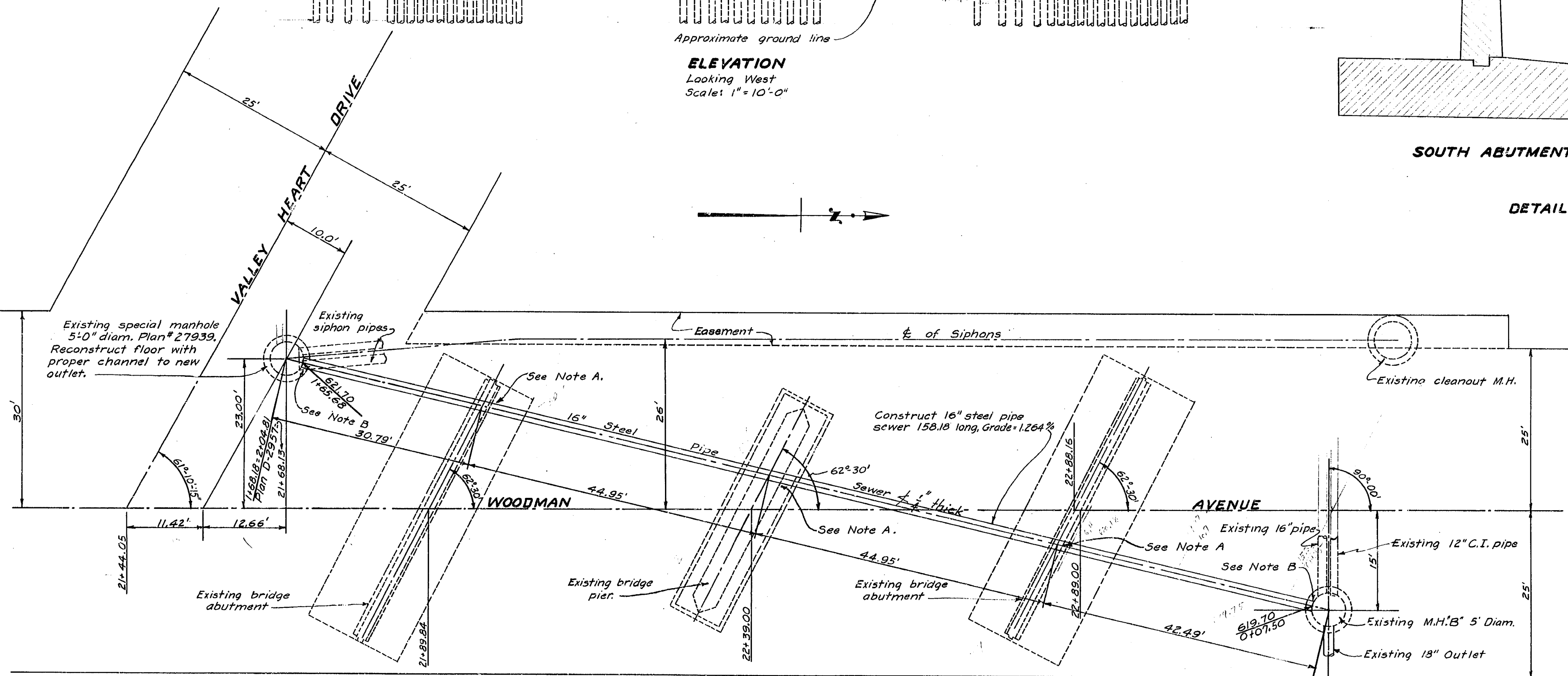
SOUTH ABUTMENT

PIER

NORTH ABUTMENT

DETAILS SHOWING PIPE THRU ABUTMENTS & PIER

Elevations given to invert of pipe.
Scale: 1/4" = 1'-0"



GENERAL PLAN

Scale: 1" = 10'-0"

Note A
Cut hole thru R.C. abutment walls and pier for 16" pipe and completely fill space around pipe wrapping (see specifications), or pipe, with concrete.

Note B
All exterior surface of the pipe except that which is to be painted shall be swabbed with a thick coat of asphaltic cement pipe coating.

REFERENCES

- Plan of existing bridge, Plan No. 29473
- " " " " underpinning, Plan B-2706
- " " " sewer " D-2957
- Profile of Woodman Ave. Profile 20803 (shows stationing of street and bridge)
- District Map No. 7356

"THESE ELEVATIONS ARE BASED ON U. S. G. & DATUM, ADOPTED JULY 1st, 1955, ORDINANCE No. 82,222."
"DUCT 5.75 FEET TO ADJUST TO DATUM PLANS IN USE PRIOR TO SAID DATE."

**WOODMAN AVE. SEWER
ACROSS
LOS ANGELES RIVER
ATTACHED TO
CONCRETE HIGHWAY BRIDGE
AT
VALLEY HEART DR.
CITY OF LOS ANGELES**

LLOYD ALDRICH CITY ENGINEER

SCALE: AS NOTED

SUBMITTED MAR. 21, 1944 APPROVED March 24, 1944

BY: *[Signature]* CITY ENGINEER

BY: *[Signature]* DEPUTY ENGINEER (DESIGN)

Bridge Removed 1950
for New Bridge, see PL. 2326

DIVISION ENGINEERS APPROVAL

DIVISION	SIGNATURE	DATE
O. & W. ENGINEER		
STREET DESIGN ENGINEER		
SEWER ENGINEER	<i>[Signature]</i>	3-22-44
STRUCTURAL DESIGN ENGINEER		
MUNICIPAL DESIGN ENGINEER		
STREET LIGHTING ENGINEER		
WATER DEPARTMENT ENGINEER		
RAPID TRANSIT DESIGN ENGINEER		
VALLEY DISTRICT	<i>[Signature]</i>	3/22/44

WORK ACCEPTED & COMPLETED	DATE	ORDER NO.
CITY ENGINEER		
UD. C. ENGINEER	9-13-44	36193
STREET MAINTENANCE DIV.		
SEWER MAINT. DIV.		
CONTRACTOR'S RECEIPT	11-17-44	G.K.D.