

Lay Bricks for bond for future connection with Section 27. This entrance to be properly bulkheaded.

NOTES

1. All elevations shown hereon are above a plane which is 2.55' below the City Datum Plane, as it existed prior to July 1, 1925.
2. The details shown hereon are for Semi-Elliptical type of construction and in the event of the award of contract for another type, minor modifications in the details shown hereon will be necessary to conform to the type of construction selected.
3. All concrete specified for special structure to be mixed in proportion by volume of 1:3:5.
4. Materials Required:
Cement - 15.90 bbls.
Rock - 7.61 Tons
Cnc. Sand - 34.5 Tons
Mortar Sand - 4.47 Tons
Brick - 4300
5. Order No. G.E. 78742.

D-146 To connect here

CITY OF LOS ANGELES
PLAN SHOWING DETAILS OF SPECIAL JUNCTION CHAMBER
 AT THE INTERSECTION OF PICO AND SANTEE STREETS
 SEC. 29 - NORTH OUTFALL SEWER

Scales as Shown

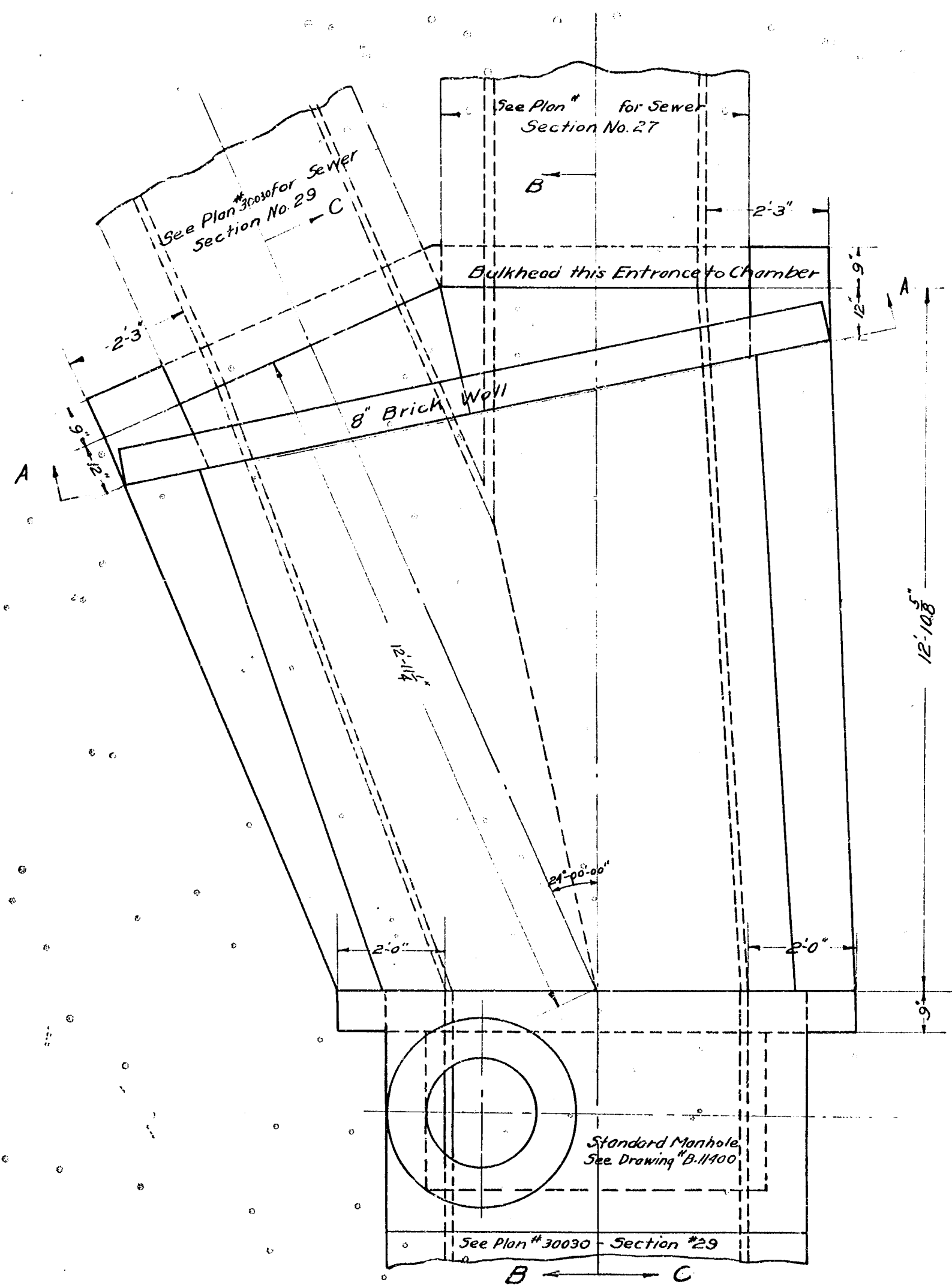
JOHN C. SHAW
 CITY ENGINEER

APPROVED Feb. 3, 1926

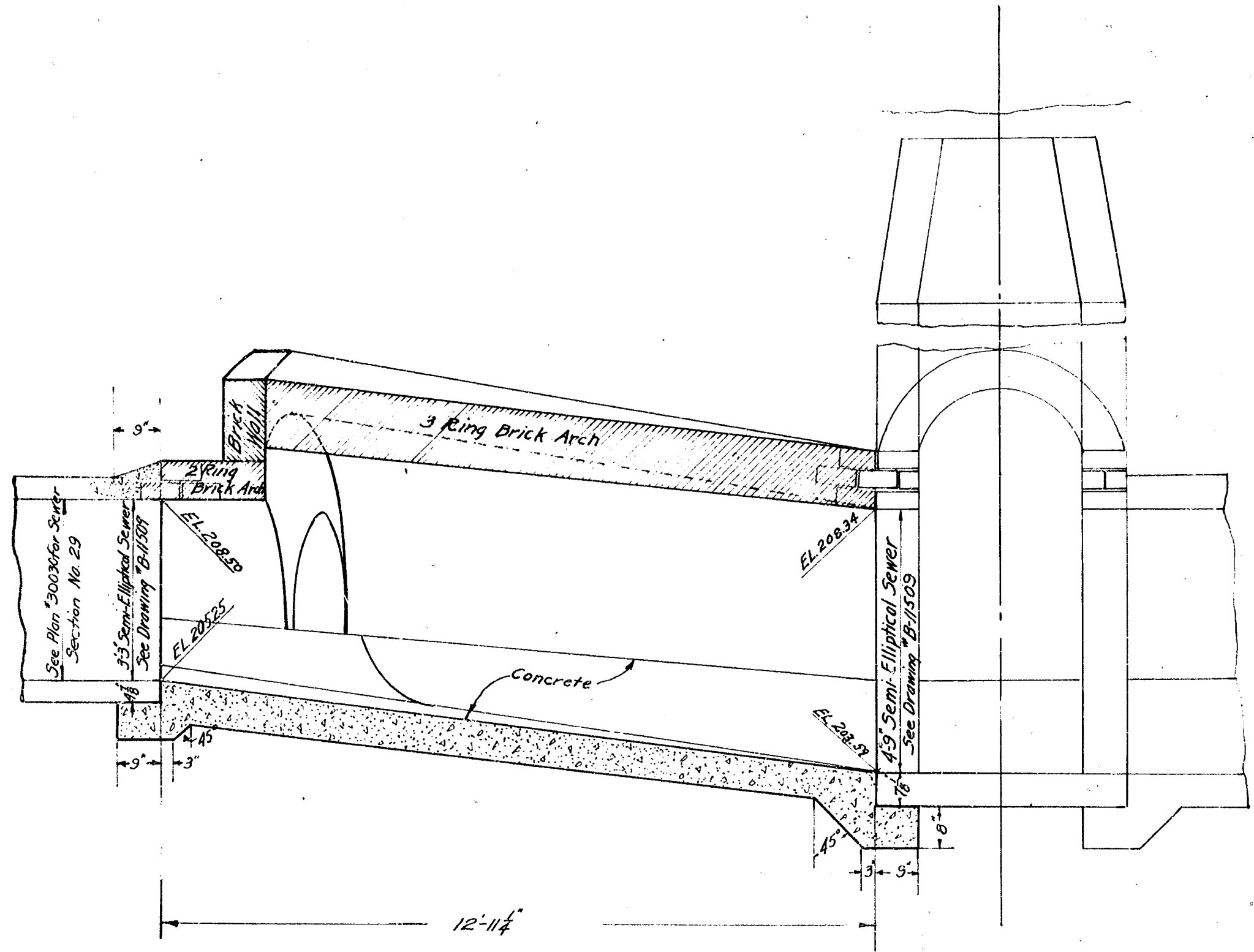
John C. Shaw
 CITY ENGINEER

30040

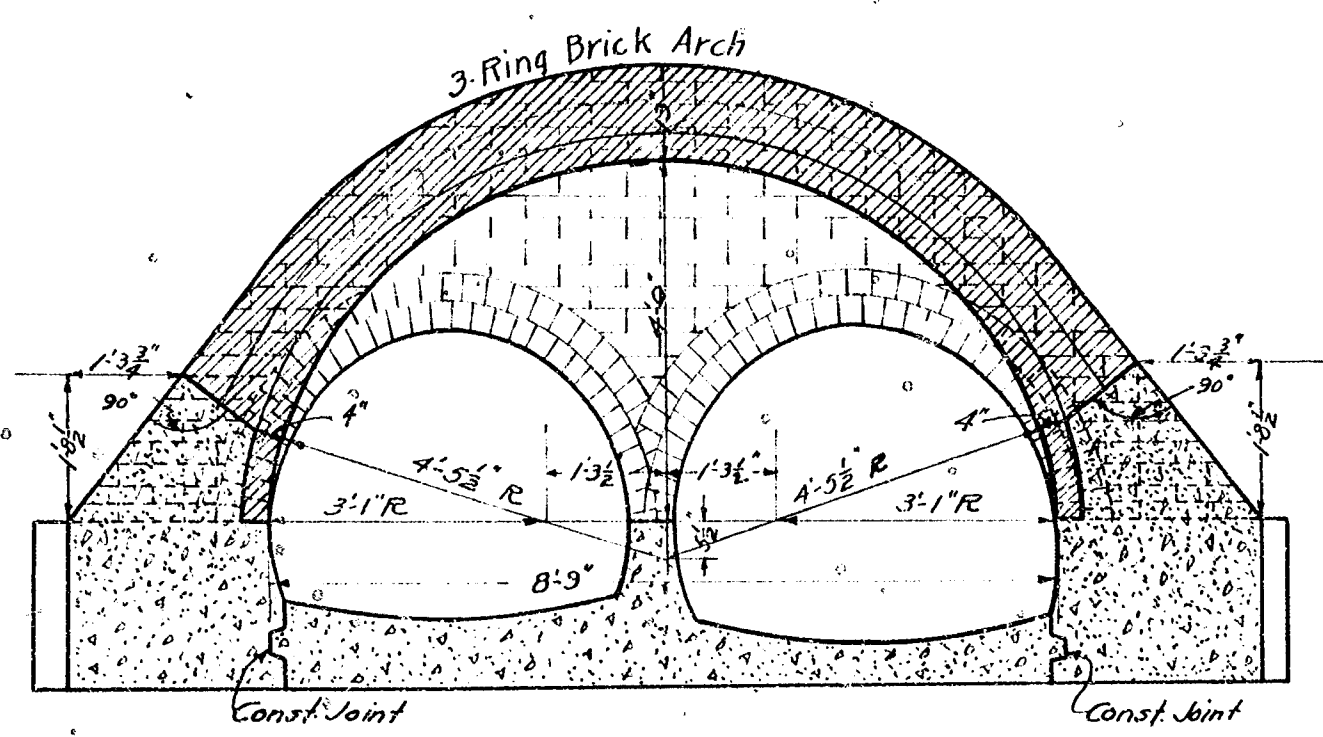
Designed by L.C. Larson
 Drawn by L.C. Larson
 Checked by W.D. Greenlee
 Approved by *[Signature]*



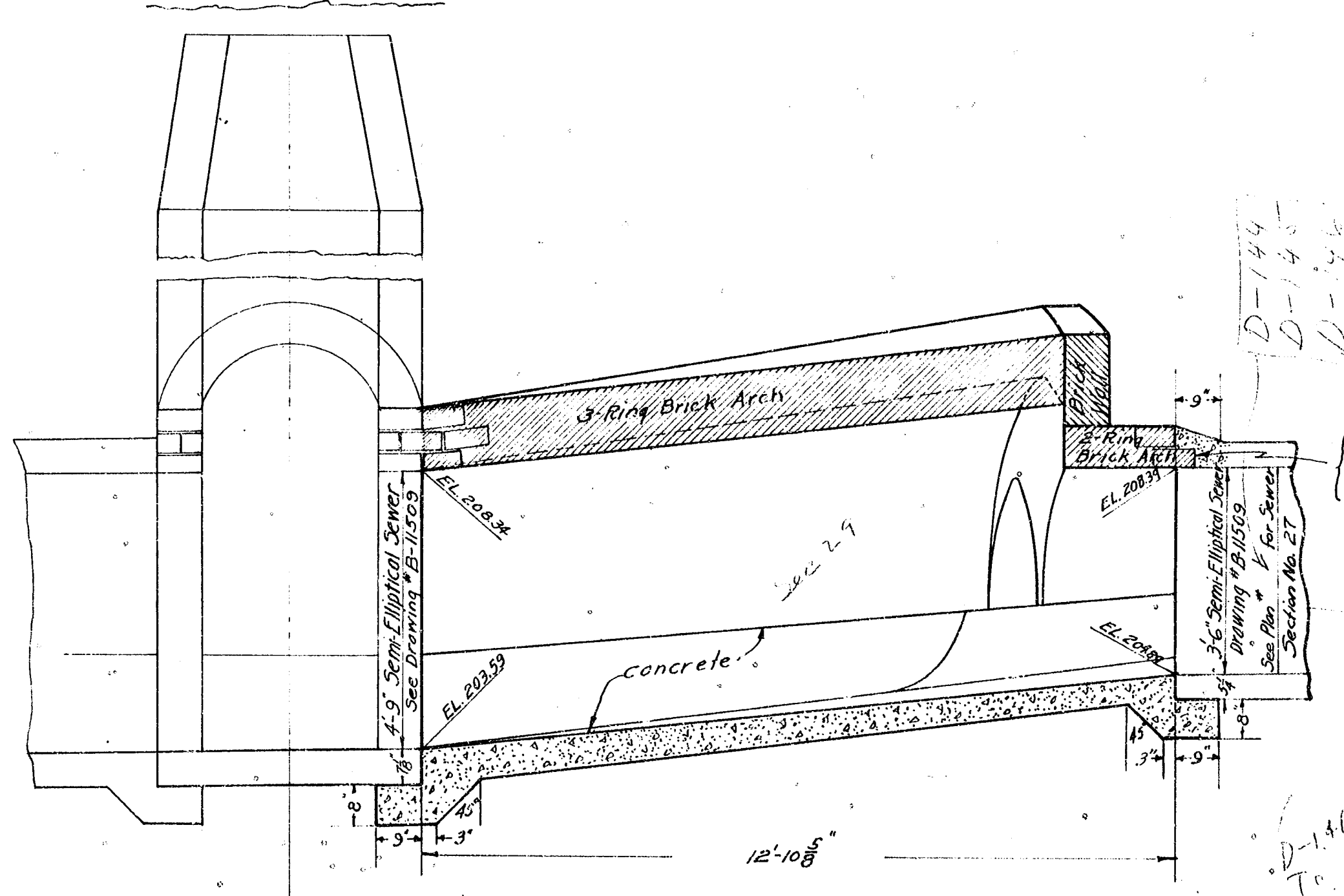
PLAN
Scale 1/2" = 1 Foot



SECTION C-C
Scale 1/2" = 1 Foot



SECTION A-A
Scale 1" = 1 Foot



SECTION B-B
Scale 1/2" = 1 Foot

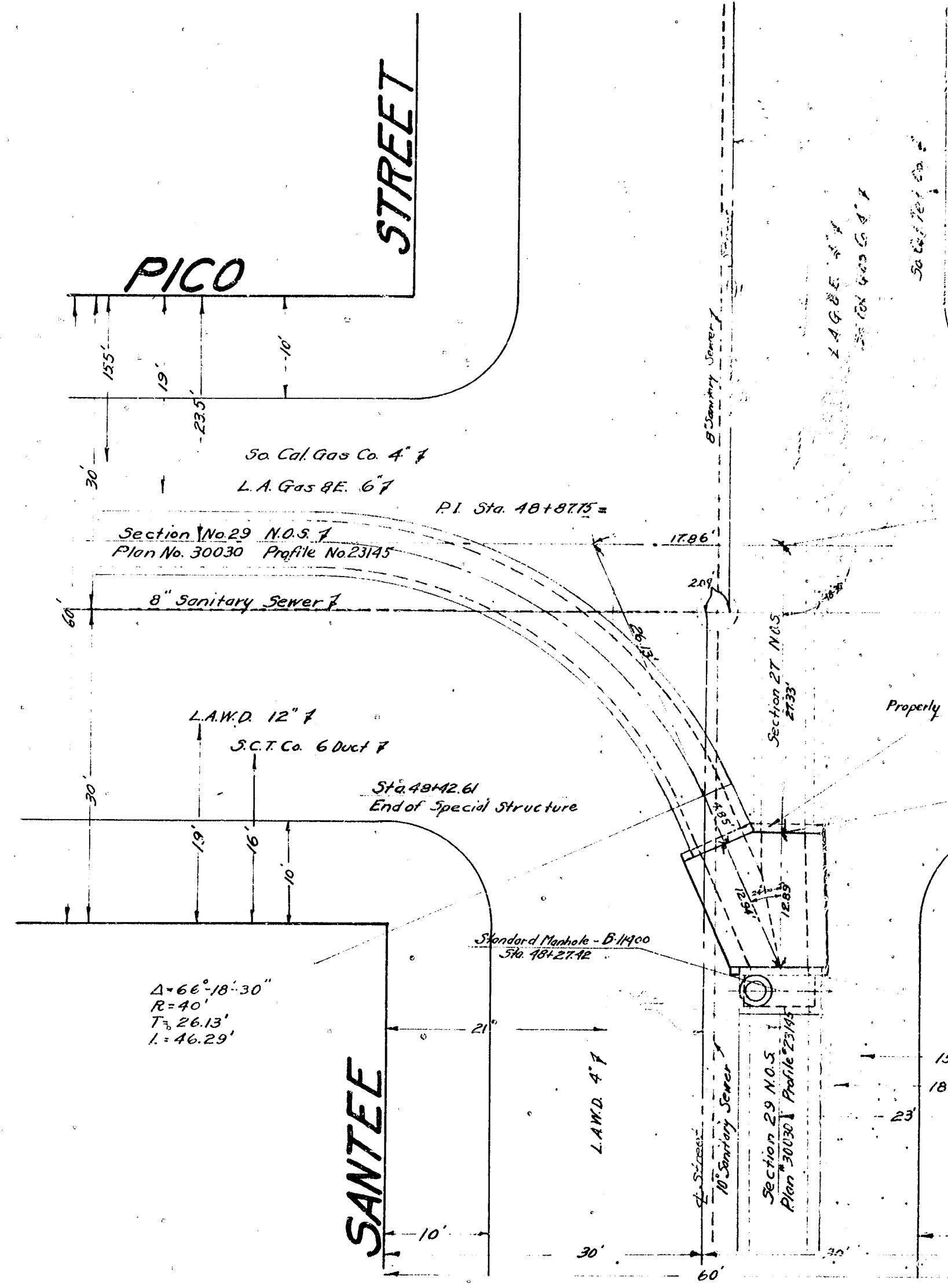
Lay Bricks for bond for future connection with Section 27. This entrance to be properly bulkheaded.

D-144
D-145
D-146

D-146 To connect here

NOTES

1. All elevations shown hereon are above a plane which is 253' below the City Datum Plane, as it existed prior to July 1, 1925.
2. The details shown hereon are for Semi-Elliptical type of construction and in the event of the award of contract for another type, minor modifications in the details shown hereon will be necessary to conform to the type of construction selected.
3. All concrete specified for special structure to be mixed in proportion by volume of 1:3:5.
4. Materials Required:
Cement - 15.30 bbls.
Rock - 7.61 Tons
Conc. Sand - 5.45 Tons
Mortar Sand - 4.47 Tons
Brick - 4300
5. Order No. G.E. 78742.



LOCATION PLAN
Scale 1" = 10 Feet

CITY OF LOS ANGELES
PLAN SHOWING DETAILS OF
SPECIAL JUNCTION CH
AT THE INTERSECTION OF
PICO AND SANTEE STREETS
SEC. 29 - NORTH OUTFALL S

JOHN C. SHAW
CITY ENGINEER
APPROVED Feb. 3, 1926
John C. Shaw
CITY ENGINEER