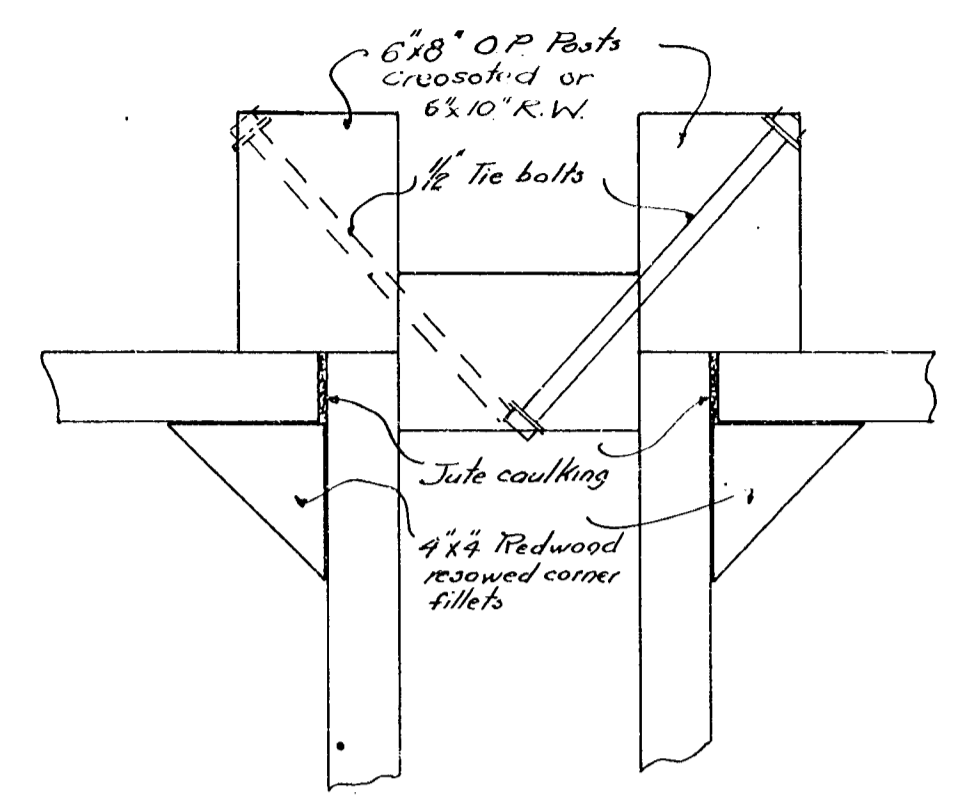
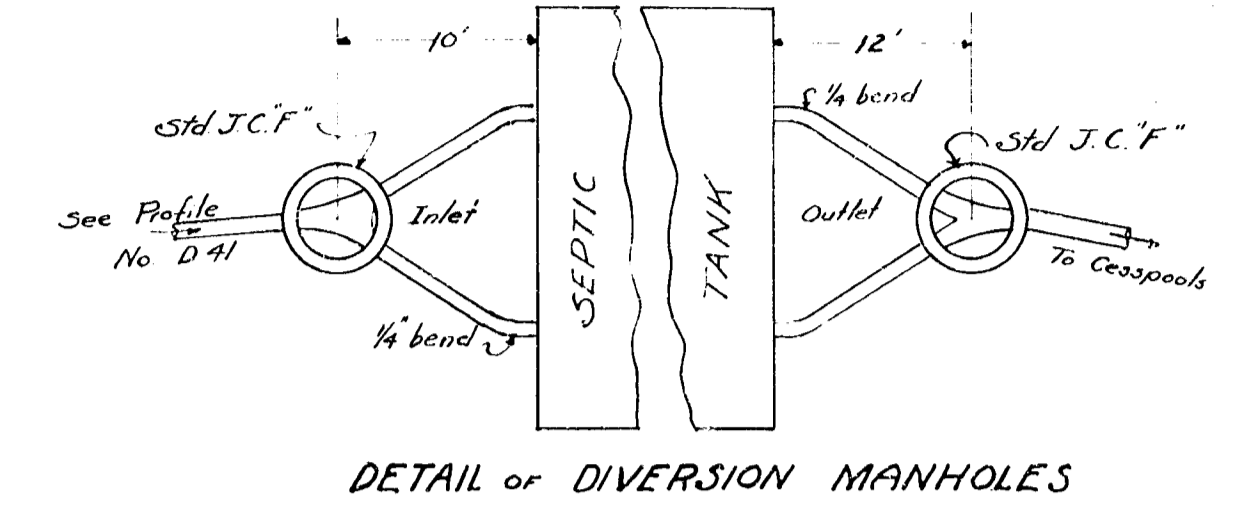


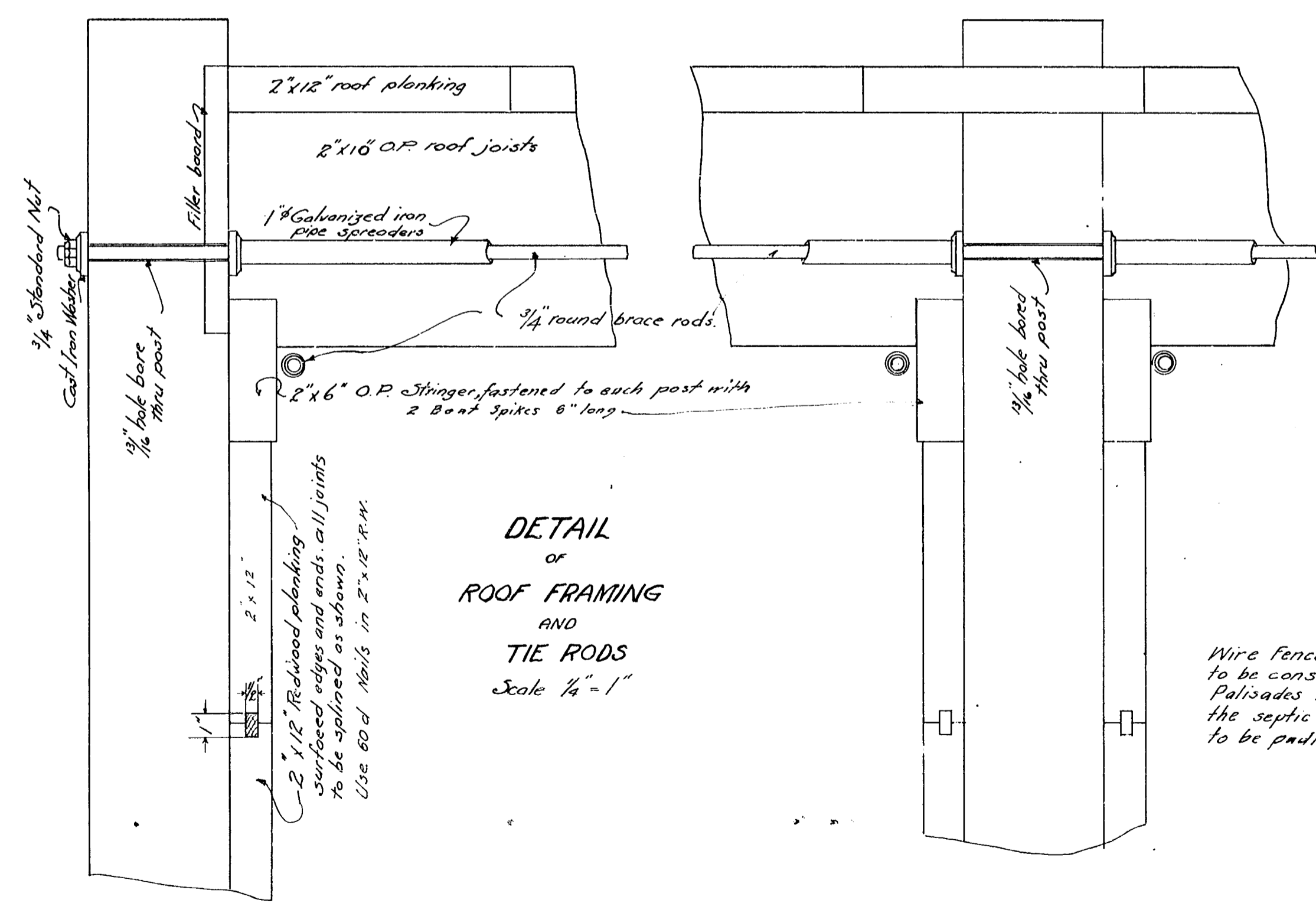
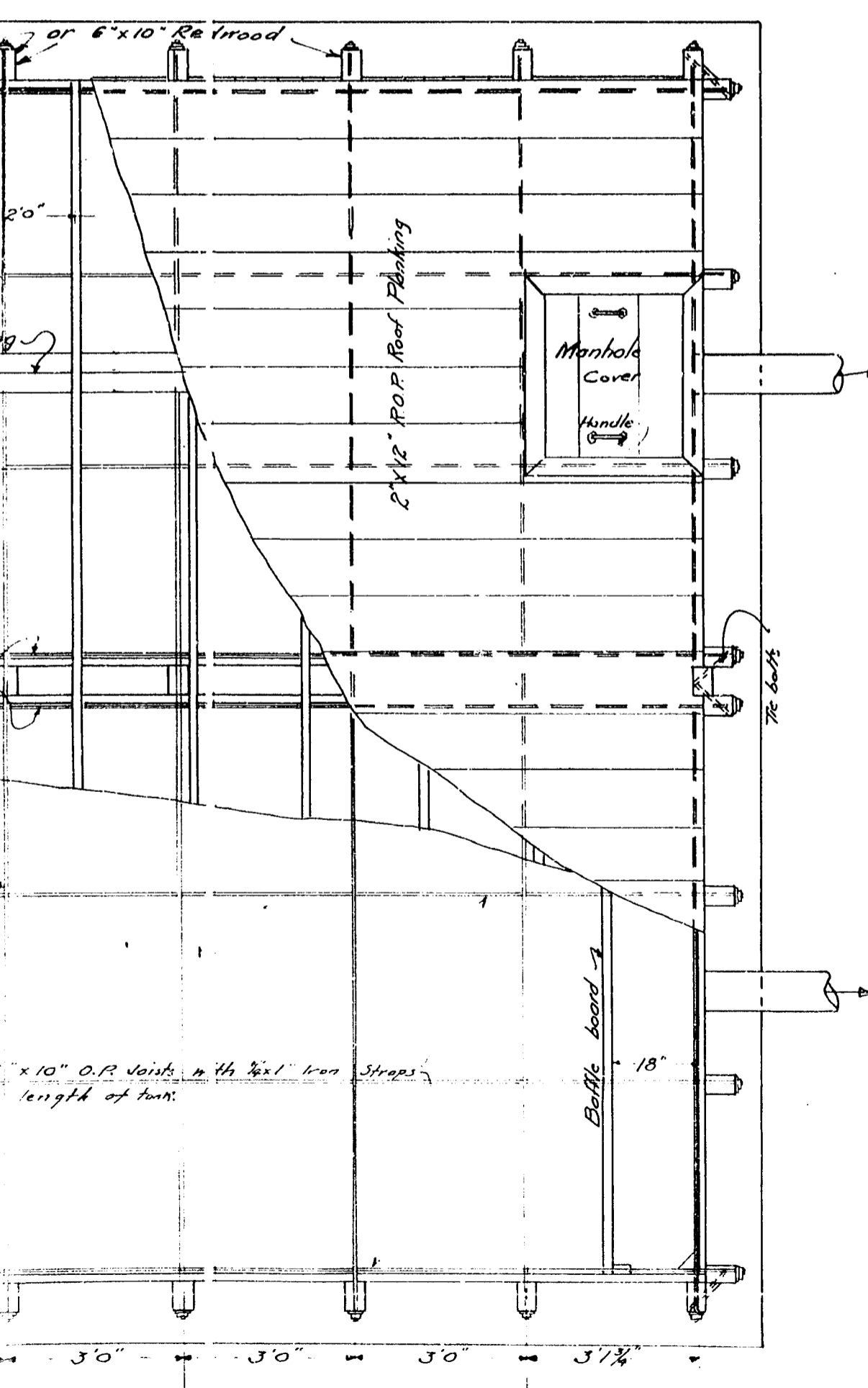
ELEVATION AT INLET END
Scale 1/2" = 1'



AT CENTER
DETAIL OF CORNER FRAMING
Scale 1/2" = 1'

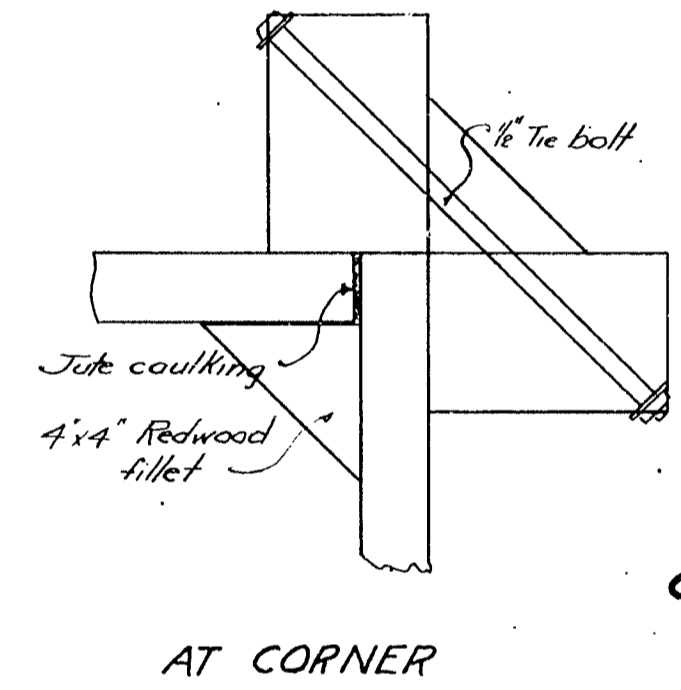


DETAIL OF DIVERSION MANHOLES

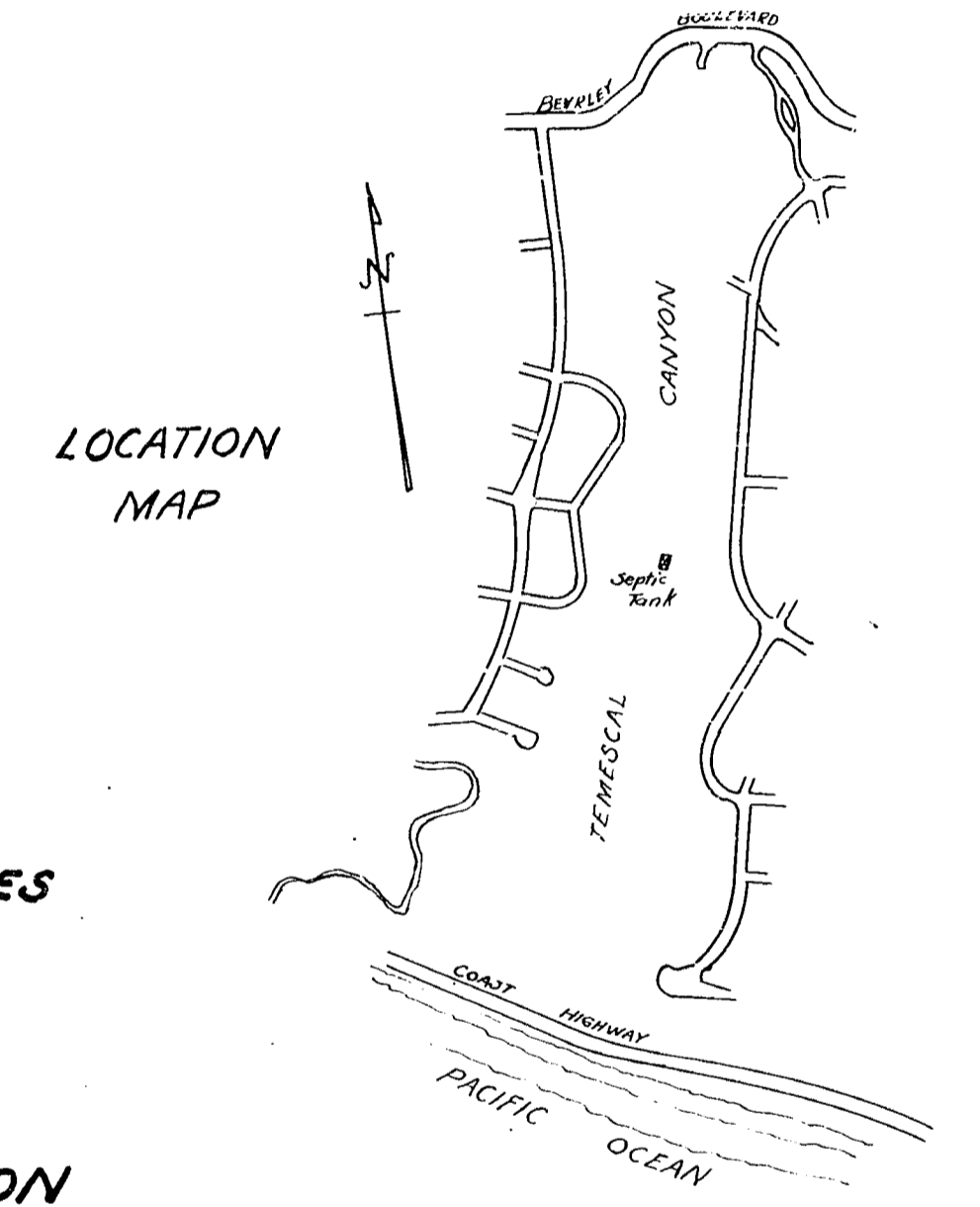


DETAIL OF ROOF FRAMING AND TIE RODS
Scale 1/2" = 1'

Wire fence (4 strand barb wire) to be constructed by Pacific Palisades Assn. entirely around the septic tank. Gate in fence to be padlocked.



AT CORNER



CITY OF LOS ANGELES
PLAN OF
SEPTIC TANK
IN TEMESCAL CANYON
FOR
PACIFIC PALISADES ASSOCIATION

JOHN C. SHAW CITY ENGINEER

Approved May 7, 1926.

JOHN C. SHAW
City Engineer

By J. H. Hewitt
Chief Deputy

Scales as shown

Note - For sewer to be built in connection with this tank, see Plan No. D-41.
All construction to be watertight throughout and shall be tested for watertightness before acceptance.

Permit C No. 1903
Designed by - Pacific Palisades Association
Drawn by -
Approved by - J. H. Hewitt 4-22-26

